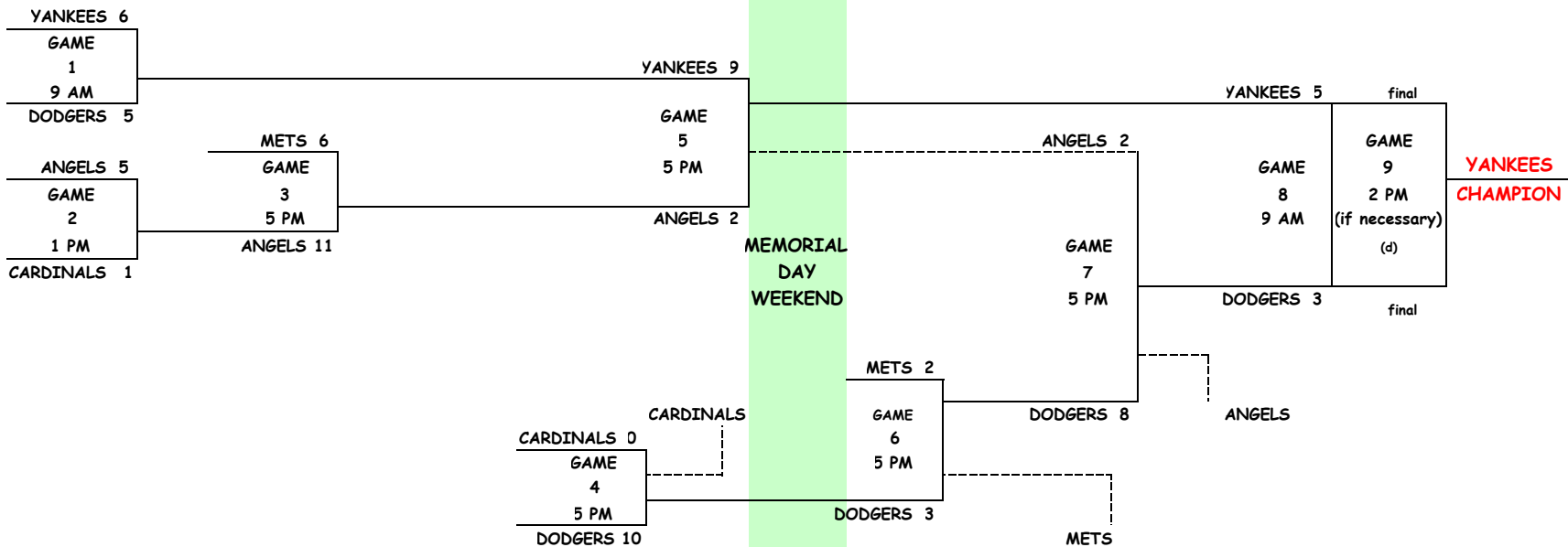


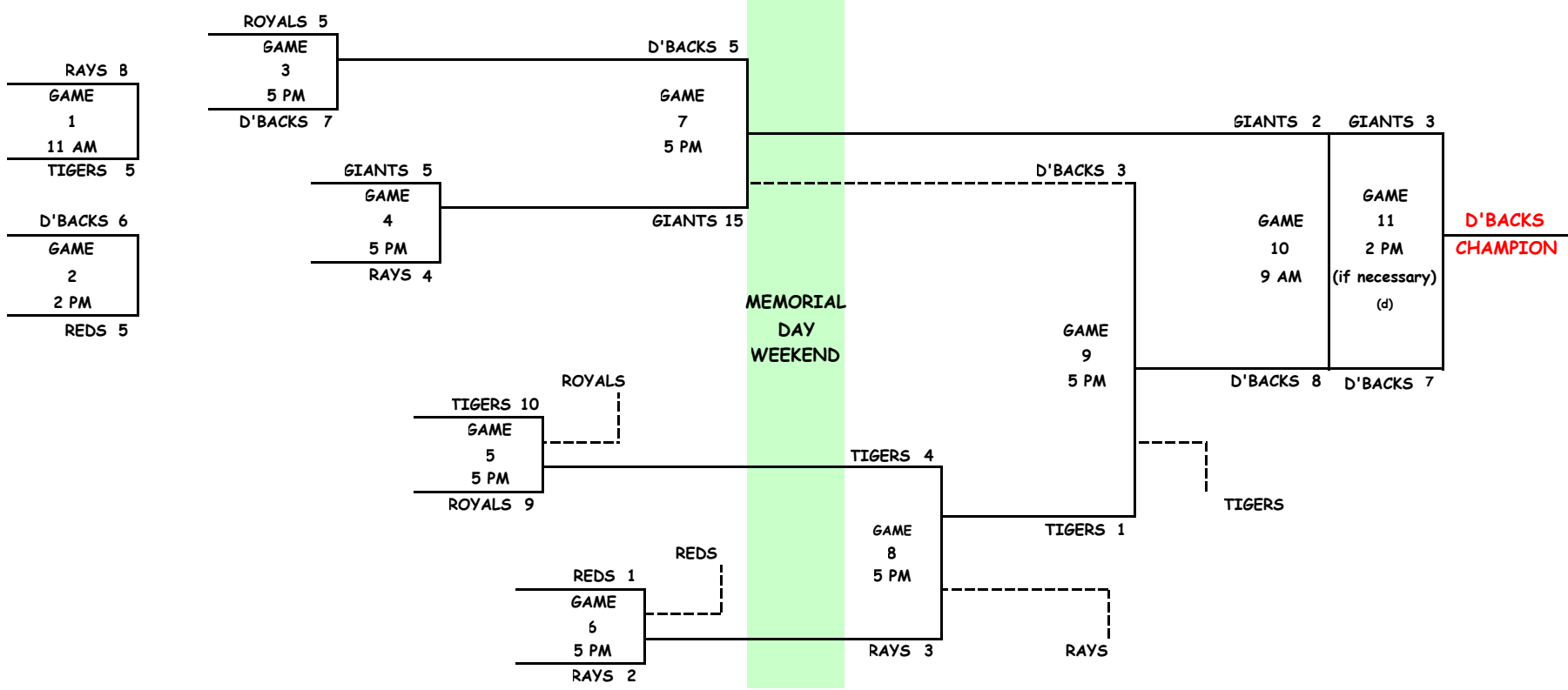
TEAM LEGEND TEAM A - METS TEAM B - YANKEES TEAM C - DODGERS TEAM D - ANGELS TEAM E - CARDINALS	SHERMAN OAKS LITTLE LEAGUE 2009 DOUBLE ELIMINATION PLAYOFFS MAJORS	SPECIAL NOTES (a) REGULAR SEASON ENDS ON SATURDAY, MAY 9. (b) CLOSING CEREMONIES ARE SATURDAY, MAY 30. CHECK WEB SITE FOR DETAILS. (c) IN EACH GAME, TEAM SEEDED HIGHEST IS THE HOME TEAM BASED ON REGULAR SEASON FINISH. (d) IF GAME 8 WINNER IS FROM THE LOSERS' BRACKET (AND THE WINNER OF GAME 7), A SECOND GAME IS PLAYED FOR THE CHAMPIONSHIP ON SATURDAY, MAY 30 AT 2:00 PM.
-------------------------------------------------------------------------------------------------------------------------------------------------------------	-------------------------------------------------------------------------------------------------------	------------------------------------------------------------------------------------------------------------------------------------------------------------------------------------------------------------------------------------------------------------------------------------------------------------------------------------------------------------------------------------------------------------

SAT 5/16	SUN 5/17	MON 5/18	TUE 5/19	WED 5/20	THU 5/21	FRI 5/22	SAT-SUN-MON 5/23-5/25	TUE 5/26	WED 5/27	THU 5/28	FRI 5/29	SAT 5/30
----------	----------	----------	----------	----------	----------	----------	--------------------------	----------	----------	----------	----------	----------



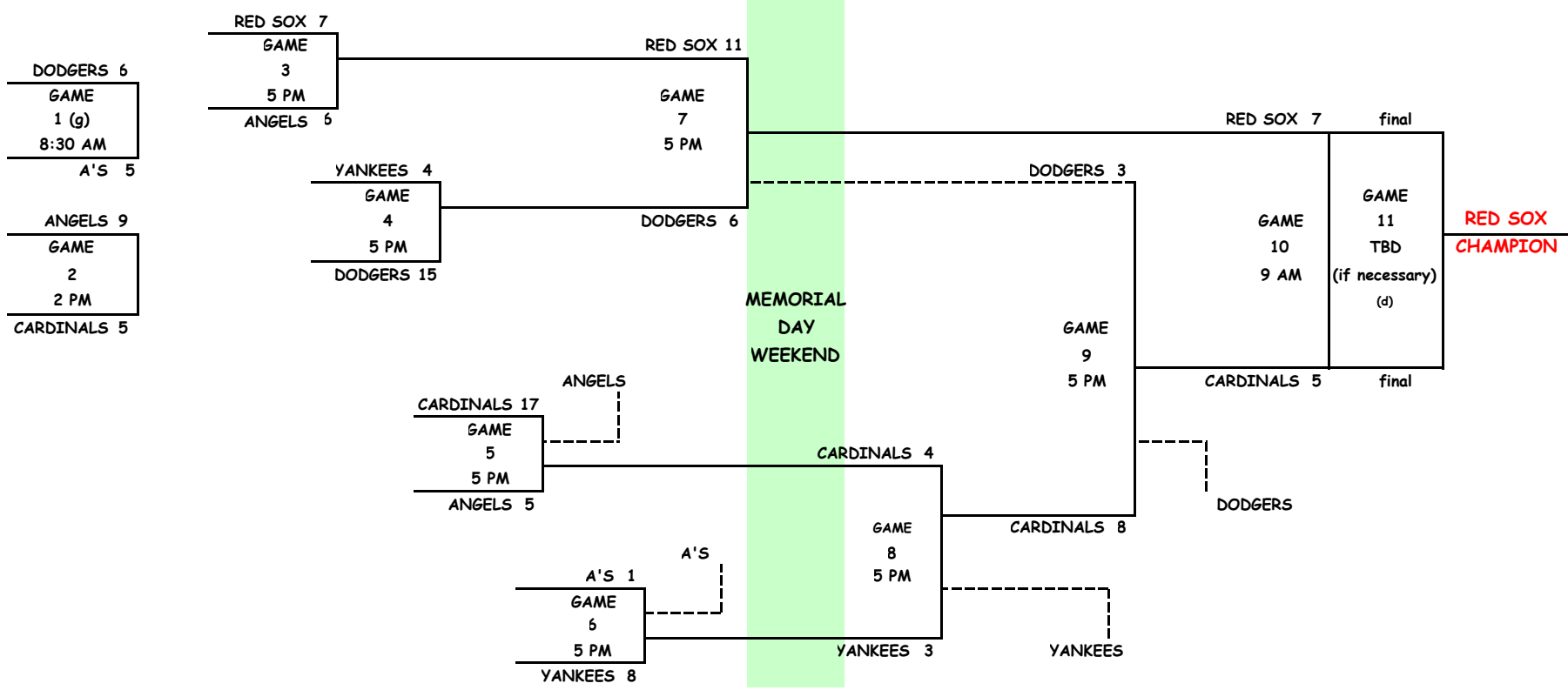
TEAM LEGEND	SHERMAN OAKS LITTLE LEAGUE		SPECIAL NOTES
TEAM A - ROYALS TEAM B - GIANTS TEAM C - RAYS TEAM D - D'BACKS TEAM E - REDS TEAM F - TIGERS	2009 DOUBLE ELIMINATION PLAYOFFS MINORS		(a) REGULAR SEASON ENDS ON SATURDAY, MAY 9. (b) CLOSING CEREMONIES ARE SATURDAY, MAY 30. CHECK WEB SITE FOR DETAILS. (c) IN EACH GAME, TEAM SEEDED HIGHEST IS THE HOME TEAM BASED ON REGULAR SEASON FINISH. (d) IF GAME 10 WINNER IS FROM THE LOSERS' BRACKET (AND THE WINNER OF GAME 9), A SECOND GAME IS PLAYED FOR THE CHAMPIONSHIP ON SUNDAY, MAY 31, 2:00 PM. (e) IF GAME 1 WINNER IS TEAM C, TEAM A PLAYS WINNER OF GAME 2, AND TEAM B PLAYS TEAM C. IF GAME 1 WINNER IS TEAM F, TEAM A PLAYS TEAM F AND TEAM B PLAYS WINNER OF GAME 2. (f) HIGHEST SEEDED LOSER OF GAMES 3 & 4 PLAYS LOWEST SEEDED LOSER OF GAMES 1 & 2.

SAT 5/16	SUN 5/17	MON 5/18	TUE 5/19	WED 5/20	THU 5/21	FRI 5/22	SAT-SUN-MON 5/23-5/25	TUE 5/26	WED 5/27	THU 5/28	FRI 5/29	SAT 5/30	SUN 5/31
----------	----------	----------	----------	----------	----------	----------	--------------------------	----------	----------	----------	----------	----------	----------



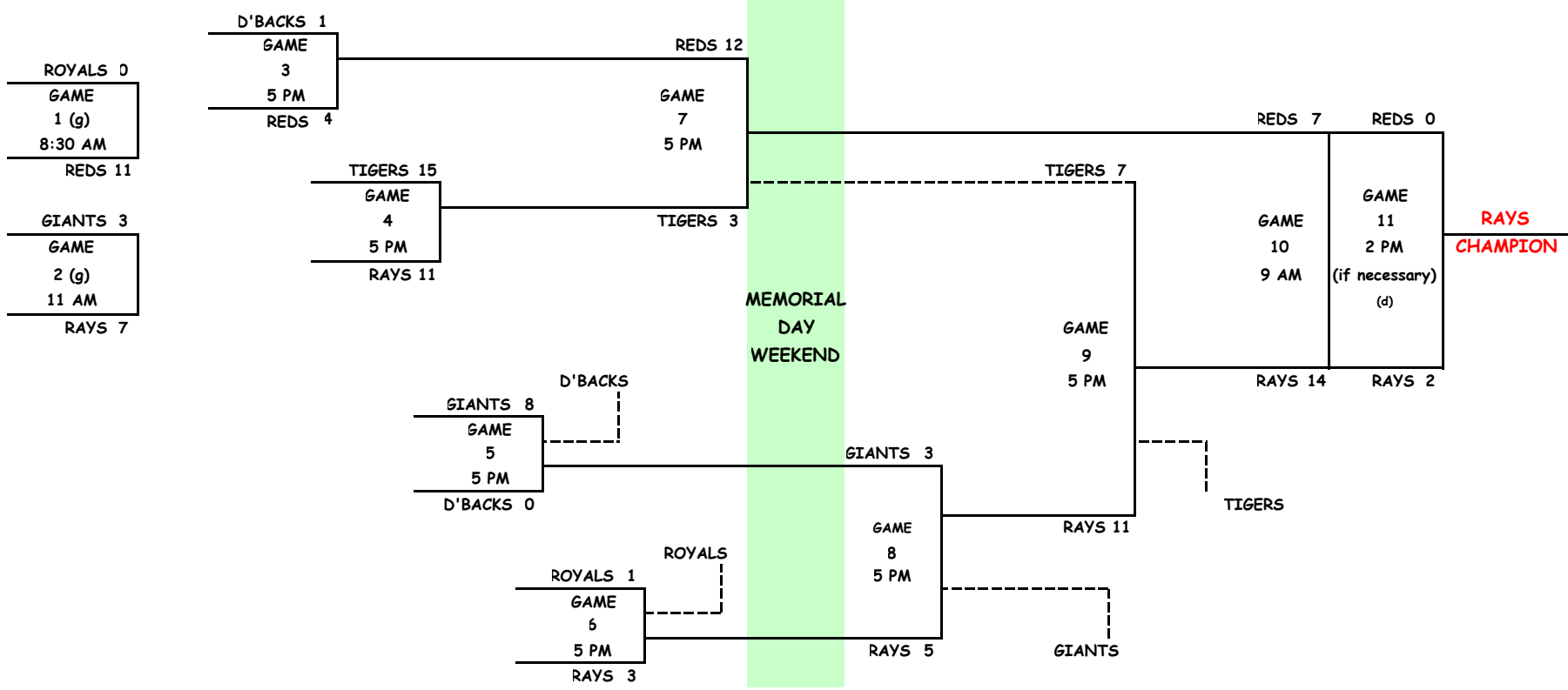
TEAM LEGEND	SHERMAN OAKS LITTLE LEAGUE	SPECIAL NOTES
TEAM A - RED SOX TEAM B - YANKEES TEAM C - DODGERS TEAM D - ANGELS TEAM E - CARDINALS TEAM F - A'S	2009 DOUBLE ELIMINATION PLAYOFFS <div style="text-align: center; color: purple; font-size: 2em; font-weight: bold;">AAA</div>	(a) REGULAR SEASON ENDS ON SATURDAY, MAY 9. (b) CLOSING CEREMONIES ARE SATURDAY, MAY 30. CHECK WEB SITE FOR DETAILS. (c) IN EACH GAME, TEAM SEEDED HIGHEST IS THE HOME TEAM BASED ON REGULAR SEASON FINISH. (d) IF GAME 10 WINNER IS FROM THE LOSERS' BRACKET (AND THE WINNER OF GAME 9), A SECOND GAME IS PLAYED FOR THE CHAMPIONSHIP ON SUNDAY, MAY 31, 2:00 PM. (e) IF GAME 1 WINNER IS TEAM C, TEAM A PLAYS WINNER OF GAME 2, AND TEAM B PLAYS TEAM C. IF GAME 1 WINNER IS TEAM F, TEAM A PLAYS TEAM F AND TEAM B PLAYS WINNER OF GAME 2. (f) HIGHEST SEEDED LOSER OF GAMES 3 & 4 PLAYS LOWEST SEEDED LOSER OF GAMES 1 & 2. (g) MINORS FIELD

SAT 5/16	SUN 5/17	MON 5/18	TUE 5/19	WED 5/20	THU 5/21	FRI 5/22	SAT-SUN-MON 5/23-5/25	TUE 5/26	WED 5/27	THU 5/28	FRI 5/29	SAT 5/30	SUN 5/31
----------	----------	----------	----------	----------	----------	----------	--------------------------	----------	----------	----------	----------	----------	----------



TEAM LEGEND	SHERMAN OAKS LITTLE LEAGUE	SPECIAL NOTES
TEAM A - D'BACKS TEAM B - TIGERS TEAM C - ROYALS TEAM D - GIANTS TEAM E - RAYS TEAM F - REDS	2009 DOUBLE ELIMINATION PLAYOFFS <div style="text-align: center; color: green; font-size: 2em; font-weight: bold;">AA</div>	(a) REGULAR SEASON ENDS ON SATURDAY, MAY 9. (b) CLOSING CEREMONIES ARE SATURDAY, MAY 30. CHECK WEB SITE FOR DETAILS. (c) IN EACH GAME, TEAM SEEDED HIGHEST IS THE HOME TEAM BASED ON REGULAR SEASON FINISH. (d) IF GAME 10 WINNER IS FROM THE LOSERS' BRACKET (AND THE WINNER OF GAME 9), A SECOND GAME IS PLAYED FOR THE CHAMPIONSHIP ON SUNDAY, MAY 31, 2:00 PM. (e) IF GAME 1 WINNER IS TEAM C, TEAM A PLAYS WINNER OF GAME 2, AND TEAM B PLAYS TEAM C. IF GAME 1 WINNER IS TEAM F, TEAM A PLAYS TEAM F AND TEAM B PLAYS WINNER OF GAME 2. (f) HIGHEST SEEDED LOSER OF GAMES 3 & 4 PLAYS LOWEST SEEDED LOSER OF GAMES 1 & 2. (g) AAA FIELD

SAT 5/16	SUN 5/17	MON 5/18	TUE 5/19	WED 5/20	THU 5/21	FRI 5/22	SAT-SUN-MON 5/23-5/25	TUE 5/26	WED 5/27	THU 5/28	FRI 5/29	SAT 5/30	SUN 5/31
----------	----------	----------	----------	----------	----------	----------	--------------------------	----------	----------	----------	----------	----------	----------



TEAM LEGEND	SHERMAN OAKS LITTLE LEAGUE		SPECIAL NOTES									
TEAM A - MIDNIGHT MARINES TEAM B - RED VINES	2009 DOUBLE ELIMINATION PLAYOFFS SOFTBALL MINORS		(a) REGULAR SEASON ENDS ON SATURDAY, MAY 9. (b) CLOSING CEREMONIES ARE SATURDAY, MAY 30. CHECK WEB SITE FOR DETAILS. (c) TEAM LISTED FIRST IS HOME TEAM (d) *PLAYOFFS ARE BEST OF 3 GAMES, HOME FOR GAME 3, IF NECESSARY, IS HIGH TOTAL SCORE IN GAMES 1 AND 2. (e) MAJORS FIELD (f) MINORS FIELD (g) MINORS FIELD									
SAT 5/16	SUN 5/17	MON 5/18	TUE 5/19	WED 5/20	THU 5/21	FRI 5/22	SAT-SUN-MON 5/23-5/25	TUE 5/26	WED 5/27	THU 5/28	FRI 5/29	SAT 5/30

RED VINES 13

GAME 1 (e) 5 PM

MIDNIGHT MARINES 10

MEMORIAL DAY WEEKEND

MIDNIGHT MARINES 10

GAME 2 (f) 5 PM

RED VINES 13

final

GAME 3 (g) 11:30 AM

final

RED VINES CHAMPION

TEAM LEGEND	SHERMAN OAKS LITTLE LEAGUE	SPECIAL NOTES
TEAM A - BLUE JAYS TEAM B - DODGERS TEAM C - LIGHTNING BOLTS TEAM D - PURPLE PANTHERS TEAM E - SUPER SLUGGERS	2009 PLAYOFFS SOFTBALL AA	(a) REGULAR SEASON ENDS ON SATURDAY, MAY 9. (b) CLOSING CEREMONIES ARE SATURDAY, MAY 30. CHECK WEB SITE FOR DETAILS. (c) TEAM LISTED FIRST IS HOME TEAM (d) 1ST ROUND 5 TEAM POOL PLAY, TOP 4 ADVANCE BASED ON POOL RECORD W-L (e) 2ND ROUND POOL PLAY SEEDS 1 VS. 4, 2 VS. 3 (f) AA / FARM FIELD (g) AAA FIELD (h) VNSO FIELD (i) AA / FARM FIELD

SAT-SUN-MON												
SAT 5/16	SUN 5/17	MON 5/18	TUE 5/19	WED 5/20	THU 5/21	FRI 5/22	5/23-5/25	TUE 5/26	WED 5/27	THU 5/28	FRI 5/29	SAT 5/30

LIGHTNING BOLTS 1

GAME
1 (f)
4:30 PM

SUPER SLUGGERS 9

DODGERS 6

GAME
2 (g)
4:30 PM

BLUE JAYS 5

PURPLE PANTHERS 4

GAME
3 (f)
4 PM

LIGHTNING BOLTS 2

SUPER SLUGGERS 4

GAME
4 (g)
4 PM

DODGERS 5

PURPLE PANTHERS 7

GAME
5 (h)

BLUE JAYS 3

MEMORIAL DAY WEEKEND

