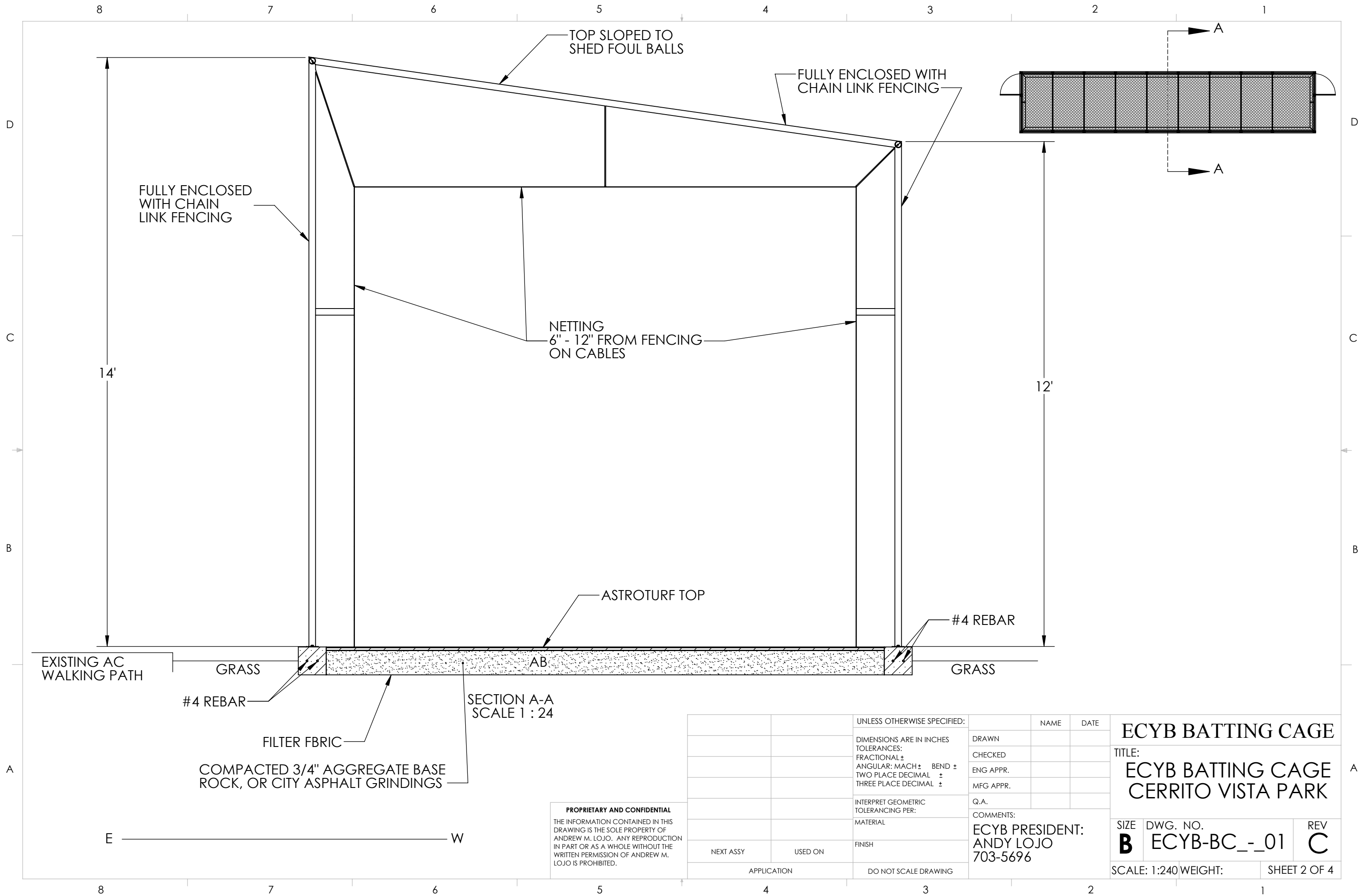


**PROPRIETARY AND CONFIDENTIAL**  
 THE INFORMATION CONTAINED IN THIS DRAWING IS THE SOLE PROPERTY OF ANDREW M. LOJO. ANY REPRODUCTION IN PART OR AS A WHOLE WITHOUT THE WRITTEN PERMISSION OF ANDREW M. LOJO IS PROHIBITED.

|             |  |                                      |  |  |  |                          |  |
|-------------|--|--------------------------------------|--|--|--|--------------------------|--|
|             |  | UNLESS OTHERWISE SPECIFIED:          |  |  |  | <b>ECYB BATTING CAGE</b> |  |
|             |  | DIMENSIONS ARE IN INCHES             |  | DRAWN                                    |  | TITLE:                   |  |
|             |  | TOLERANCES:                          |  | CHECKED                                  |  | ECYB BATTING CAGE        |  |
|             |  | FRACTIONAL ±                         |  | ENG APPR.                                |  | CERRITO VISTA PARK       |  |
|             |  | ANGULAR: MACH ± BEND ±               |  | MFG APPR.                                |  | SIZE                     |  |
|             |  | TWO PLACE DECIMAL ±                  |  | Q.A.                                     |  | DWG. NO.                 |  |
|             |  | THREE PLACE DECIMAL ±                |  | COMMENTS:                                |  | REV                      |  |
|             |  | INTERPRET GEOMETRIC TOLERANCING PER: |  | ECYB PRESIDENT:<br>ANDY LOJO<br>703-5696 |  | B ECYB-BC_-_01 C         |  |
|             |  | MATERIAL                             |  |  |  | SCALE: 1:72 WEIGHT:      |  |
| NEXT ASSY   |  | USED ON                              |  | FINISH                                   |  | DO NOT SCALE DRAWING     |  |
| APPLICATION |  |                                      |  |  |  |                          |  |

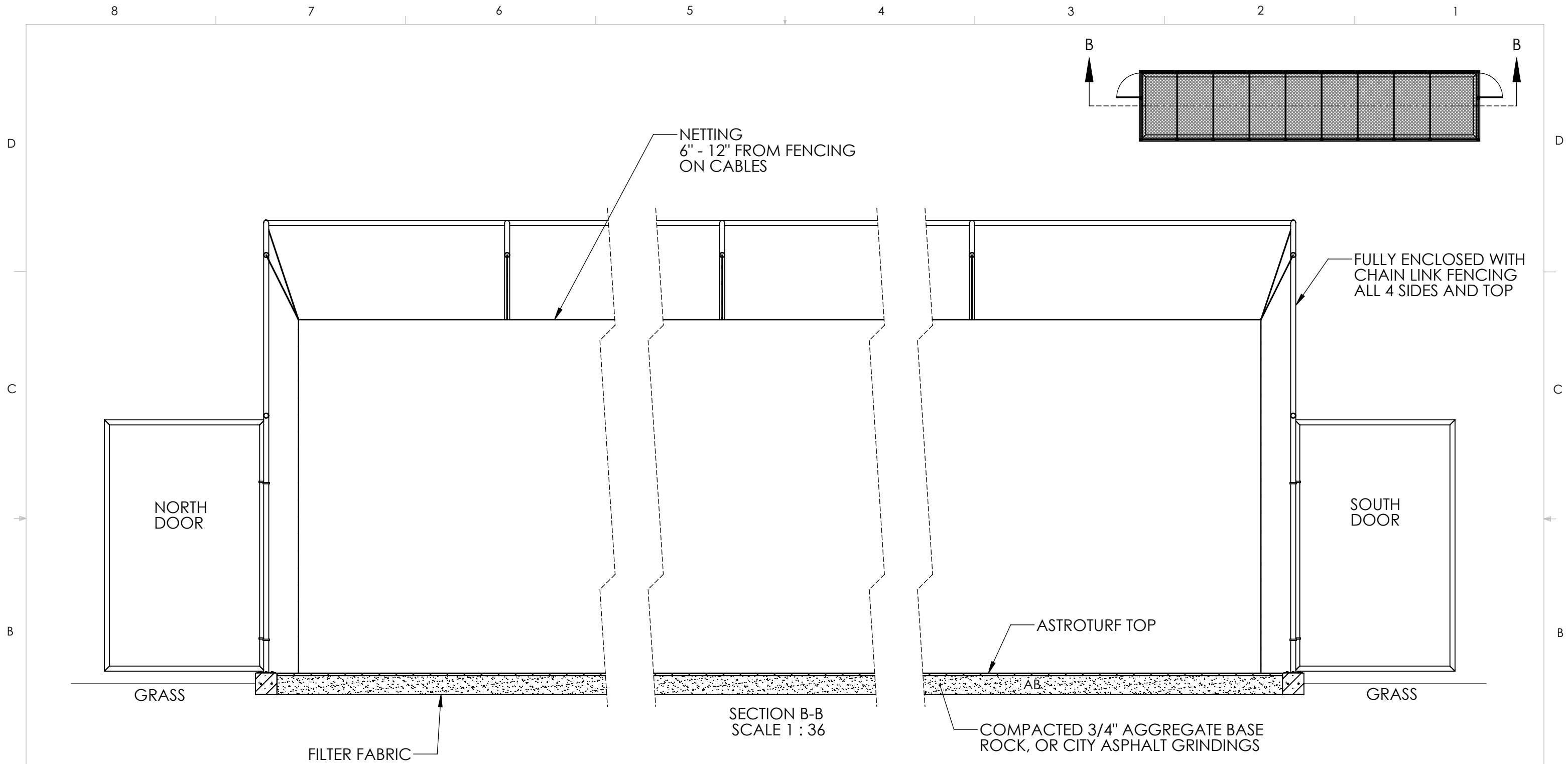


**PROPRIETARY AND CONFIDENTIAL**  
 THE INFORMATION CONTAINED IN THIS DRAWING IS THE SOLE PROPERTY OF ANDREW M. LOJO. ANY REPRODUCTION IN PART OR AS A WHOLE WITHOUT THE WRITTEN PERMISSION OF ANDREW M. LOJO IS PROHIBITED.

| UNLESS OTHERWISE SPECIFIED:          |        |
|--------------------------------------|--------|
| DIMENSIONS ARE IN INCHES             |        |
| TOLERANCES:                          |        |
| FRACTIONAL ±                         |        |
| ANGULAR: MACH ±                      | BEND ± |
| TWO PLACE DECIMAL ±                  |        |
| THREE PLACE DECIMAL ±                |        |
| INTERPRET GEOMETRIC TOLERANCING PER: |        |
| MATERIAL                             |        |
| FINISH                               |        |
| DO NOT SCALE DRAWING                 |        |

| NAME                                     | DATE |
|--|------|
| DRAWN                                    |      |
| CHECKED                                  |      |
| ENG APPR.                                |      |
| MFG APPR.                                |      |
| Q.A.                                     |      |
| COMMENTS:                                |      |
| ECYB PRESIDENT:<br>ANDY LOJO<br>703-5696 |      |

|   |                                |                 |
|---|--------------------------------|-----------------|
| <b>ECYB BATTING CAGE</b>                                  |                                |                 |
| TITLE:<br><b>ECYB BATTING CAGE<br/>CERRITO VISTA PARK</b> |                                |                 |
| SIZE<br><b>B</b>  | DWG. NO.<br><b>ECYB-BC_-01</b> | REV<br><b>C</b> |
| SCALE: 1:240 WEIGHT:                                      |                                | SHEET 2 OF 4    |



SECTION B-B  
SCALE 1 : 36

N ————— S

**PROPRIETARY AND CONFIDENTIAL**  
THE INFORMATION CONTAINED IN THIS DRAWING IS THE SOLE PROPERTY OF ANDREW M. LOJO. ANY REPRODUCTION IN PART OR AS A WHOLE WITHOUT THE WRITTEN PERMISSION OF ANDREW M. LOJO IS PROHIBITED.

|             |         |                                      |  |  |             |
|-------------|---------|--------------------------------------|--|--|-------------|
|             |         | UNLESS OTHERWISE SPECIFIED:          |  | NAME                                     | DATE        |
|             |         | DIMENSIONS ARE IN INCHES             |  | DRAWN                                    |             |
|             |         | TOLERANCES:                          |  | CHECKED                                  |             |
|             |         | FRACTIONAL ±                         |  | ENG APPR.                                |             |
|             |         | ANGULAR: MACH ± BEND ±               |  | MFG APPR.                                |             |
|             |         | TWO PLACE DECIMAL ±                  |  | Q.A.                                     |             |
|             |         | THREE PLACE DECIMAL ±                |  | COMMENTS:                                |             |
|             |         | INTERPRET GEOMETRIC TOLERANCING PER: |  | ECYB PRESIDENT:<br>ANDY LOJO<br>703-5696 |             |
|             |         | MATERIAL                             |  | SIZE                                     | DWG. NO.    |
| NEXT ASSY   | USED ON | FINISH                               |  | <b>B</b>                                 | ECYB-BC_-01 |
| APPLICATION |         | DO NOT SCALE DRAWING                 |  | REV                                      | <b>C</b>    |
|             |         |                                      |  | SCALE: 1:240                             | WEIGHT:     |
|             |         |                                      |  | SHEET 3 OF 4                             |             |

**ECYB BATTING CAGE**  
TITLE:  
**ECYB BATTING CAGE**  
**CERRITO VISTA PARK**

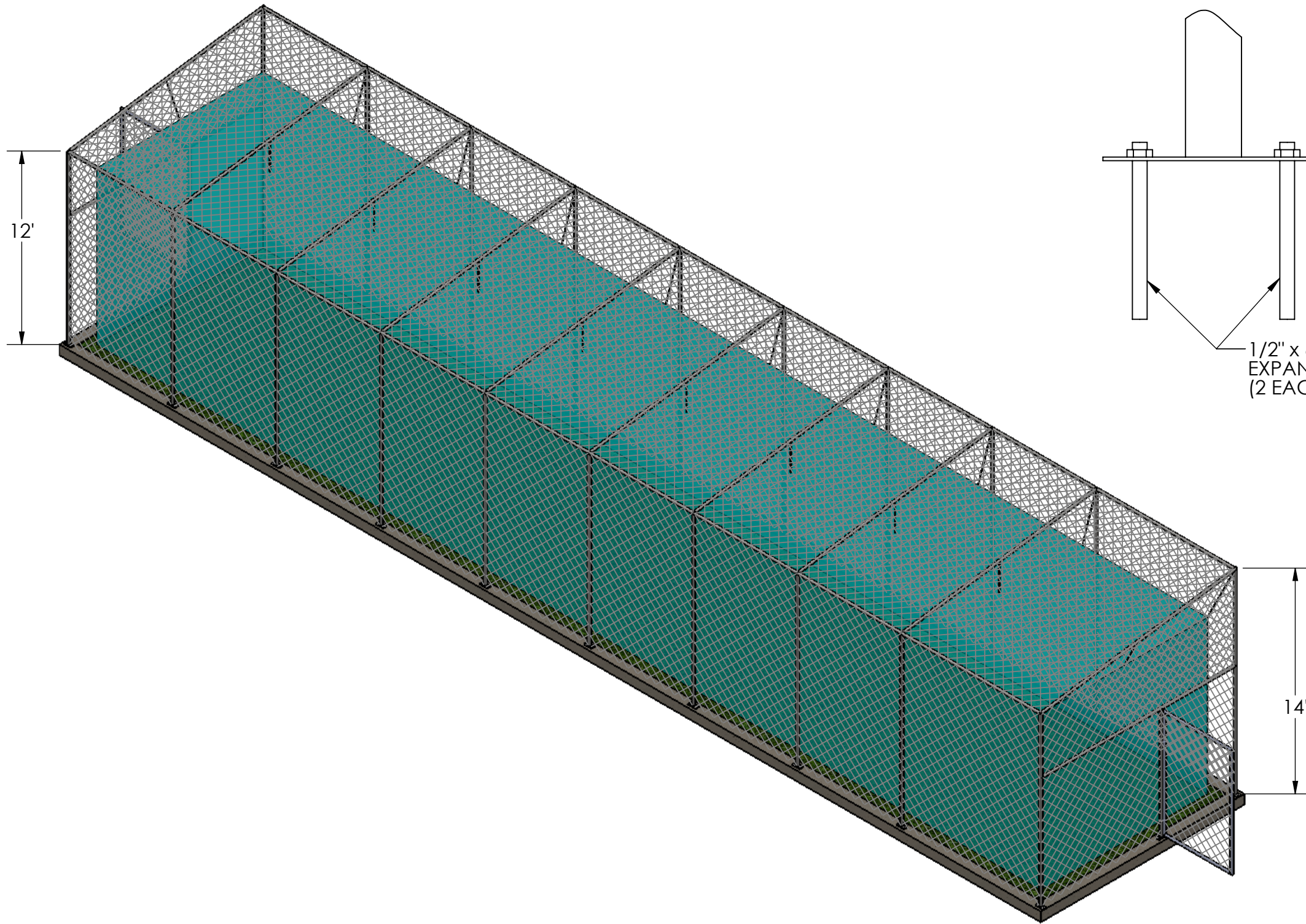
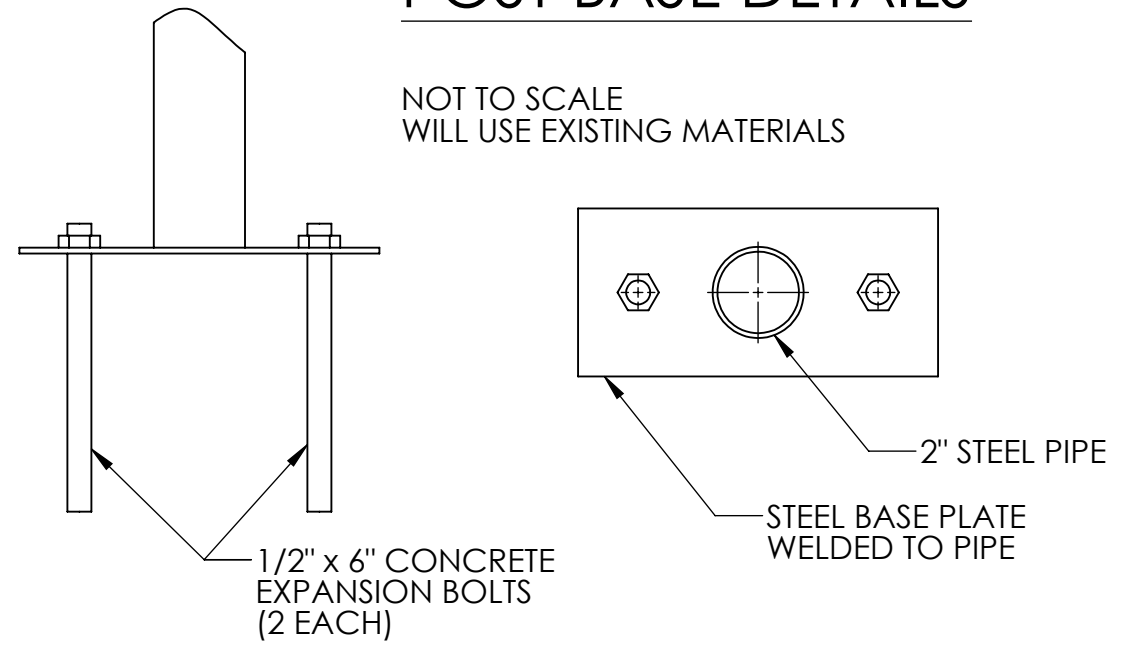
SIZE **B** DWG. NO. **ECYB-BC\_-01** REV **C**

SCALE: 1:240 WEIGHT: SHEET 3 OF 4

8 7 6 5 4 3 2 1

# POST BASE DETAILS

NOT TO SCALE  
WILL USE EXISTING MATERIALS



D  
C  
B  
A

D  
C  
B  
A

UNLESS OTHERWISE SPECIFIED:

DIMENSIONS ARE IN INCHES  
TOLERANCES:  
FRACTIONAL ±  
ANGULAR: MACH ± BEND ±  
TWO PLACE DECIMAL ±  
THREE PLACE DECIMAL ±

INTERPRET GEOMETRIC TOLERANCING PER:

MATERIAL

FINISH

DO NOT SCALE DRAWING

|  | NAME | DATE |
|--|------|------|
| DRAWN                                    |      |      |
| CHECKED                                  |      |      |
| ENG APPR.                                |      |      |
| MFG APPR.                                |      |      |
| Q.A.                                     |      |      |
| COMMENTS:                                |      |      |
| ECYB PRESIDENT:<br>ANDY LOJO<br>703-5696 |      |      |

**ECYB BATTING CAGE**  
TITLE:  
**ECYB BATTING CAGE**  
**CERRITO VISTA PARK**

|          |                    |          |
|----------|--------------------|----------|
| SIZE     | DWG. NO.           | REV      |
| <b>B</b> | <b>ECYB-BC_-01</b> | <b>C</b> |

SCALE: 1:72 WEIGHT: SHEET 4 OF 4

**PROPRIETARY AND CONFIDENTIAL**  
THE INFORMATION CONTAINED IN THIS DRAWING IS THE SOLE PROPERTY OF ANDREW M. LOJO. ANY REPRODUCTION IN PART OR AS A WHOLE WITHOUT THE WRITTEN PERMISSION OF ANDREW M. LOJO IS PROHIBITED.

| NEXT ASSY | USED ON | APPLICATION |
|-----------|---------|-------------|
|           |         |             |

8 7 6 5 4 3 2 1